

Autodesk® Revit®

www.autodesk.com/revit

Cody Turner
Dream Home

No.	Description	Date

3D Without Landscape

Project number	Project Number	100
Date	Issue Date	
Drawn by	Author	
Checked by	Checker	
		Scale

Copy (2) of {3D}

10/31/2013 9:05:27 AM

Autodesk Revit

www.autodesk.com/revit

Consultant
Address
Phone
Fax
e-mail

Consultant
Address
Phone
Fax
e-mail

Consultant
Address
Phone
Fax
e-mail

Consultant
Address
Phone
Fax
e-mail

Consultant
Address
Phone
Fax
e-mail

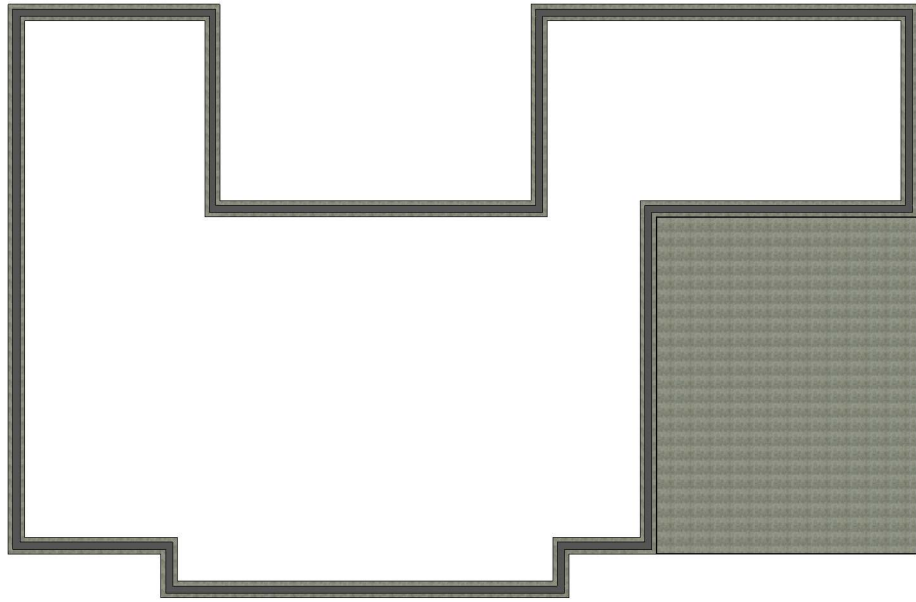
No.	Description	Date

Cody Turner
Dream Home
Floor Plan

Project number	Project Number
Date	Issue Date
Drawn by	Author
Checked by	Checker
103	
Scale	1/8" = 1'-0"

10/20/13 9:05:35 AM





① Level 03 - T.O. Basement Slab
1/8" = 1'-0"

Autodesk® Revit®

www.autodesk.com/revit

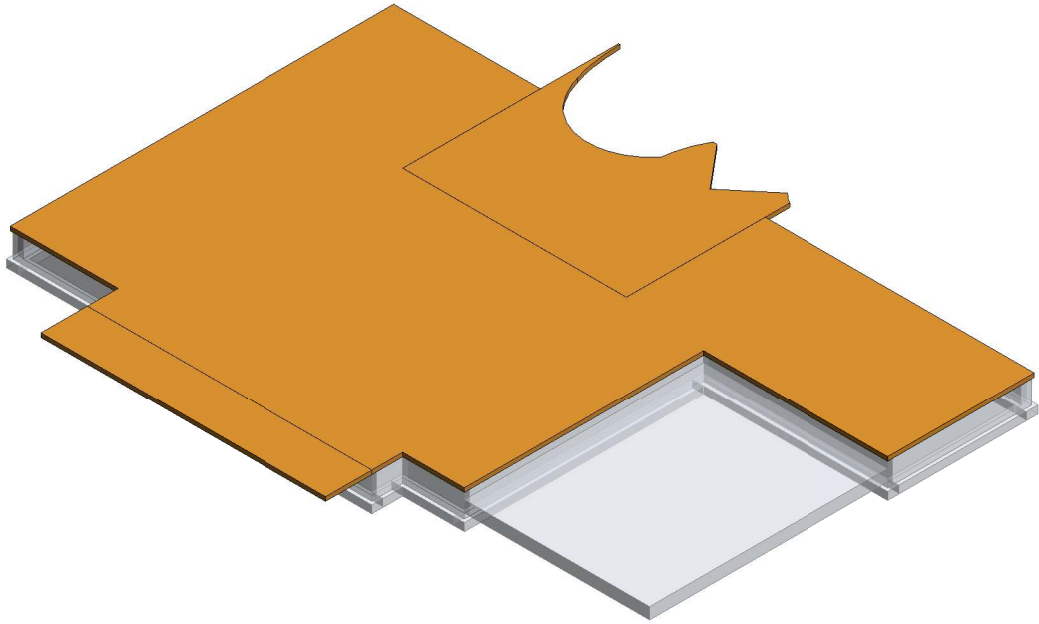
Cody Turner
Dream Home

No.	Description	Date

Foundation Floor Plan

Project number	Project Number	104
Date	Issue Date	
Drawn by	Author	
Checked by	Checker	
Scale 1/8" = 1'-0"		

10/3/2013 5:05:36 AM



① Copy (4) of {3D}

Autodesk® Revit®

www.autodesk.com/revit

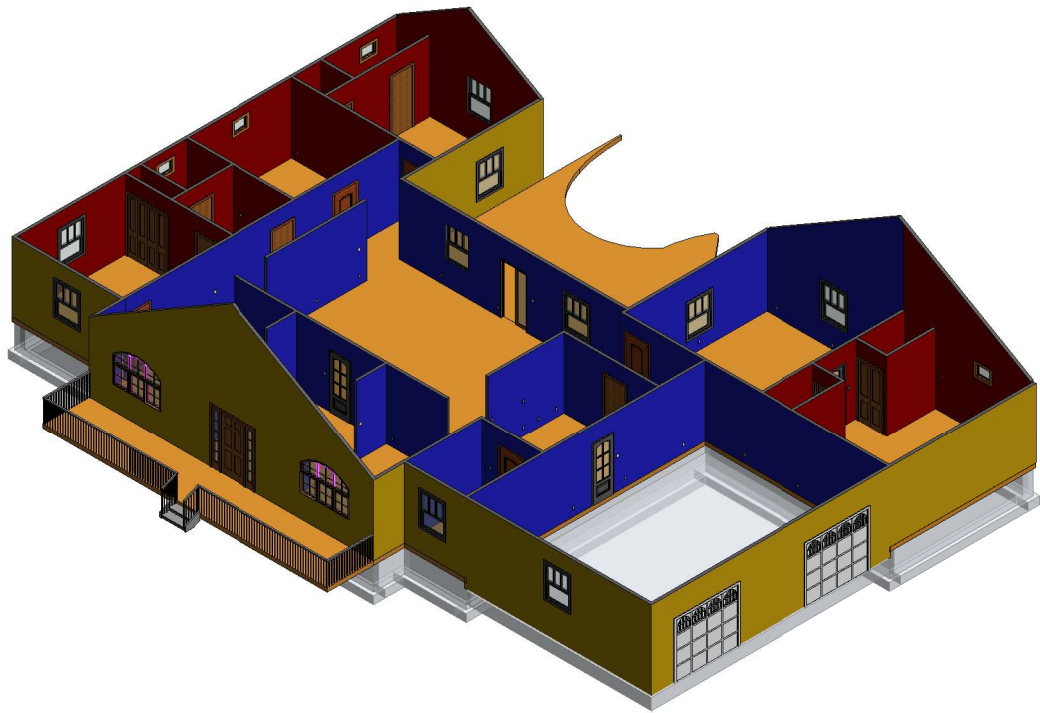
Cody Turner
Dream Home

No.	Description	Date

Foundation

Project number	Project Number	105
Date	Issue Date	
Drawn by	Author	
Checked by	Checker	
Scale		

10/31/2013 9:05:36 AM



Autodesk Revit®

www.autodesk.com/revit

Cody Turner
Dream Home

No.	Description	Date

Walls

Project number	Project Number	106
Date	Issue Date	
Drawn by	Author	
Checked by	Checker	
		Scale



① bathroom 1 2

Autodesk® Revit®

www.autodesk.com/revit

Cody Turner

Dream Home

Bathroom 1

Project number	Project Number
Date	Issue Date
Drawn by	Author
Checked by	Checker

107



① bathroom 2 2

Autodesk® Revit®

www.autodesk.com/revit

Cody Turner

Dream Home

Bathroom 2

Project number	Project Number
Date	Issue Date
Drawn by	Author
Checked by	Checker

108



① bedroom 1 2

Autodesk® Revit®

www.autodesk.com/revit

Cody Turner

Dream Home

Bedrooms

Project number	Project Number
Date	Issue Date
Drawn by	Author
Checked by	Checker

109



① bedroom 1 4

Autodesk® Revit®

www.autodesk.com/revit

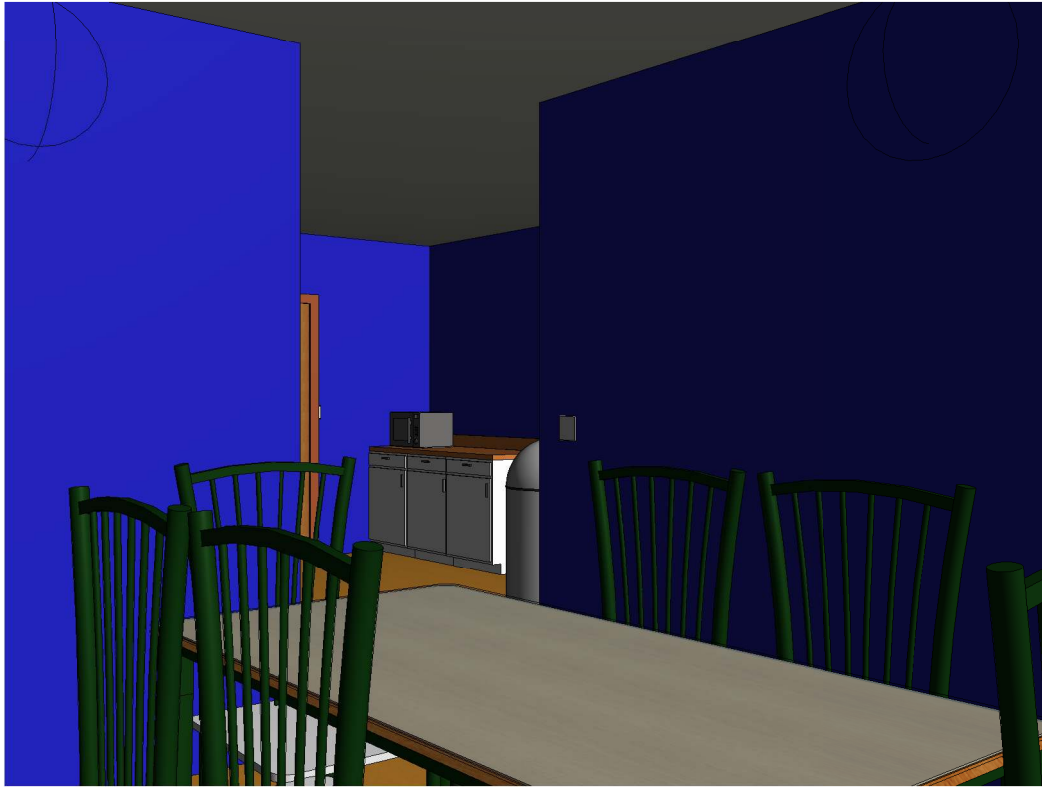
Cody Turner

Dream Home

Bedrooms

Project number	Project Number
Date	Issue Date
Drawn by	Author
Checked by	Checker

110



① dining room 1

Autodesk® Revit®

www.autodesk.com/revit

Cody Turner

Dream Home

Dinning Room

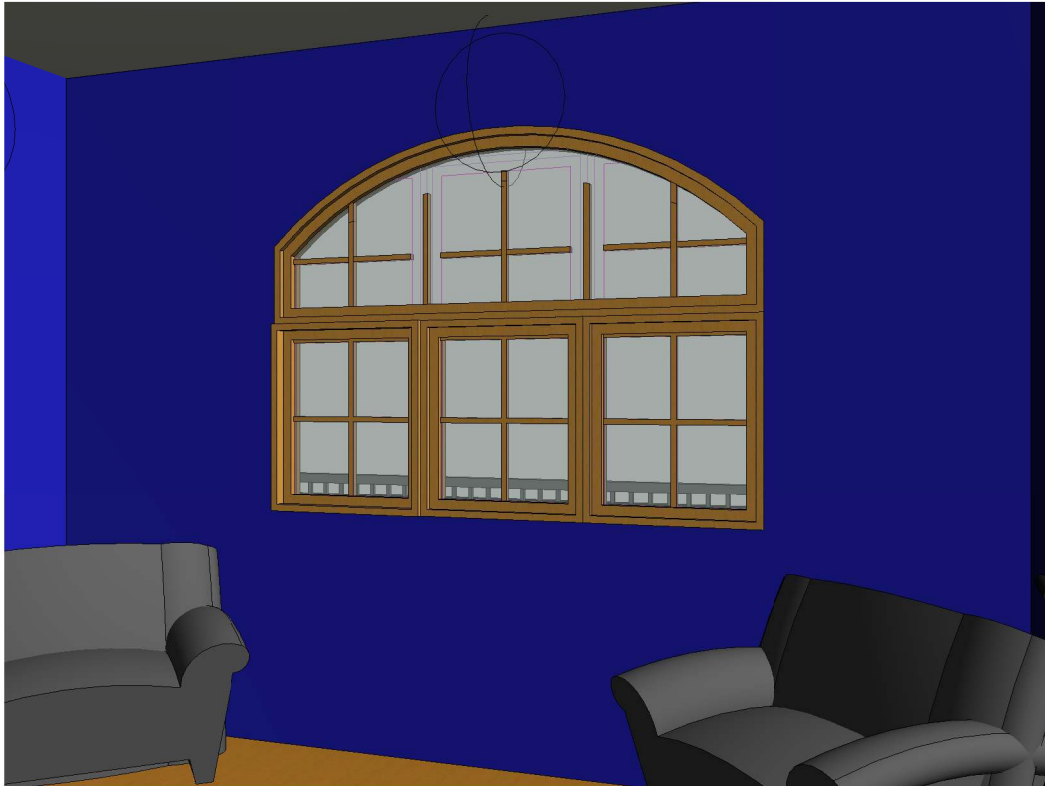
Project number	Project Number
----------------	----------------

Date	Issue Date
------	------------

Drawn by	Author
----------	--------

Checked by	Checker
------------	---------

111



① family room 1

Autodesk® Revit®

www.autodesk.com/revit

Cody Turner

Dream Home

Family Room

Project number	Project Number
----------------	----------------

Date	Issue Date
------	------------

Drawn by	Author
----------	--------

Checked by	Checker
------------	---------

112



① foyer 1

Autodesk® Revit®

www.autodesk.com/revit

Cody Turner

Dream Home

Foyer

Project number	Project Number
Date	Issue Date
Drawn by	Author
Checked by	Checker

113



① game room 1

Autodesk® Revit®

www.autodesk.com/revit

Cody Turner

Dream Home

Game Room

Project number	Project Number
----------------	----------------

Date	Issue Date
------	------------

Drawn by	Author
----------	--------

Checked by	Checker
------------	---------

114



① garage 2

Autodesk® Revit®

www.autodesk.com/revit

Cody Turner

Dream Home

Garage

Project number	Project Number
Date	Issue Date
Drawn by	Author
Checked by	Checker

115

Scale



① kitchen 1

Autodesk® Revit®

www.autodesk.com/revit

Cody Turner

Dream Home

Kitchen

Project number	Project Number
----------------	----------------

Date	Issue Date
------	------------

Drawn by	Author
----------	--------

Checked by	Checker
------------	---------

116



① living room 1

Autodesk® Revit®

www.autodesk.com/revit

Cody Turner

Dream Home

Living Room

Project number	Project Number
Date	Issue Date
Drawn by	Author
Checked by	Checker

117

Scale



① living room 2

Autodesk® Revit®

www.autodesk.com/revit

Cody Turner

Dream Home

Living Room

Project number	Project Number
Date	Issue Date
Drawn by	Author
Checked by	Checker

118



① utility closet 2

Autodesk® Revit®

www.autodesk.com/revit

Cody Turner

Dream Home

Utility Closet

Project number	Project Number
Date	Issue Date
Drawn by	Author
Checked by	Checker

119

Scale



① master bath 1

Autodesk® Revit®

www.autodesk.com/revit

Cody Turner

Dream Home

Master Bath

Project number	Project Number
Date	Issue Date
Drawn by	Author
Checked by	Checker

120

Scale



1 master bath 2

Autodesk® Revit®

www.autodesk.com/revit

Cody Turner

Dream Home

Master Bath

Project number	Project Number
Date	Issue Date
Drawn by	Author
Checked by	Checker

121

Scale



① master bedroom 2

Autodesk® Revit®

www.autodesk.com/revit

Cody Turner

Dream Home

Master Bedroom

Project number	Project Number
----------------	----------------

Date	Issue Date
------	------------

Drawn by	Author
----------	--------

Checked by	Checker
------------	---------

122



① master bedroom 4

Autodesk® Revit®	Cody Turner	Master Bedroom		
	Dream Home	Project number	Project Number	
Date		Issue Date	123	
Drawn by		Author		
www.autodesk.com/revit		Checked by	Checker	Scale



① front porch

Autodesk® Revit®

www.autodesk.com/revit

Cody Turner

Dream Home

Front Porch

Project number Project Number

Date Issue Date

Drawn by Author

Checked by Checker

124

Scale



① back porch 3

Autodesk® Revit®

www.autodesk.com/revit

Cody Turner

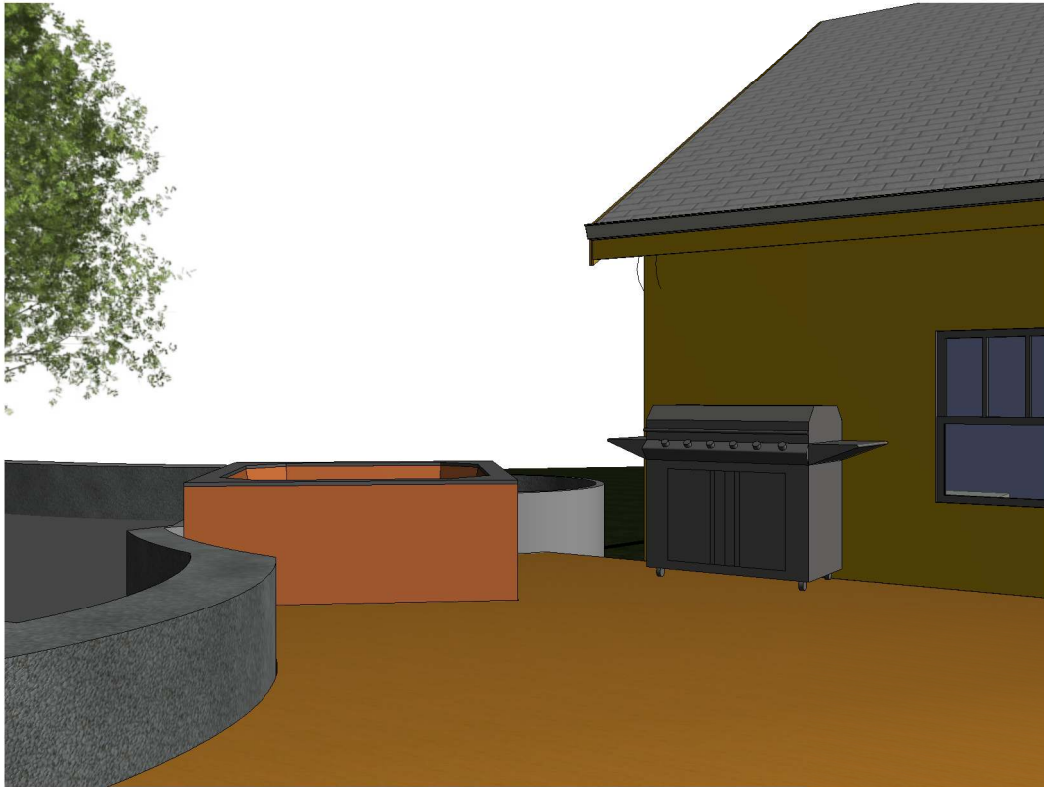
Dream Home

Back Porch

Project number	Project Number
Date	Issue Date
Drawn by	Author
Checked by	Checker

125

Scale



① back porch 1

Autodesk® Revit®

www.autodesk.com/revit

Cody Turner

Dream Home

Back Porch

Project number	Project Number
Date	Issue Date
Drawn by	Author
Checked by	Checker

126

Scale